

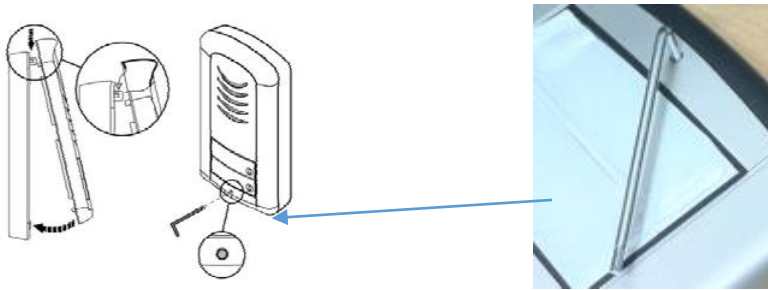


## SIPDOOR Quick Installation Guide

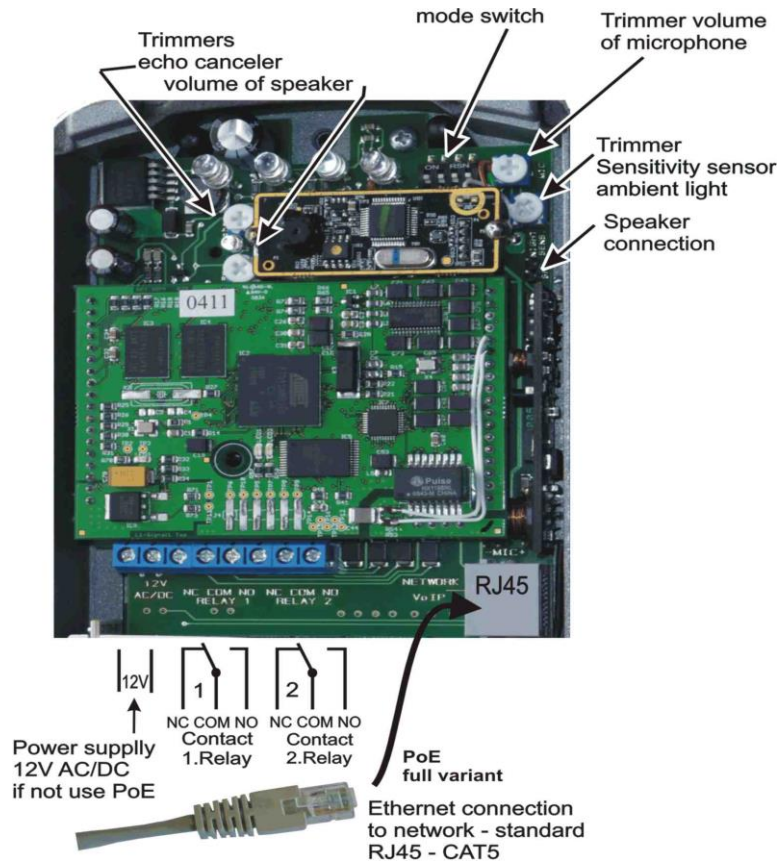
# Sipdex

## 1 Physical install

### 1.1 Open The Case



### 1.2 Assembled modules



## 1.3 PoE or Power Supply

For SIPDOOR is necessary used PoE power from switch or the AC voltage of 11-15V or DC voltage of 12-15V, not exceed 300mA.

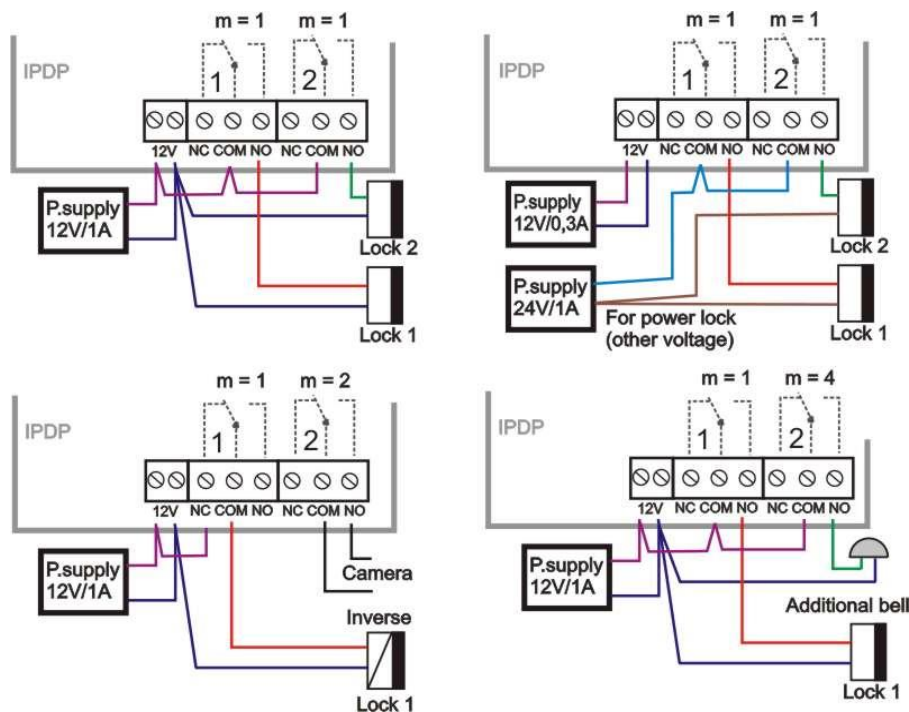
In practice the alternating feeder 12V/1A mostly meets these demands.

## 1.4 Relay Connection

Relay connection is shown on Picture 2. Where

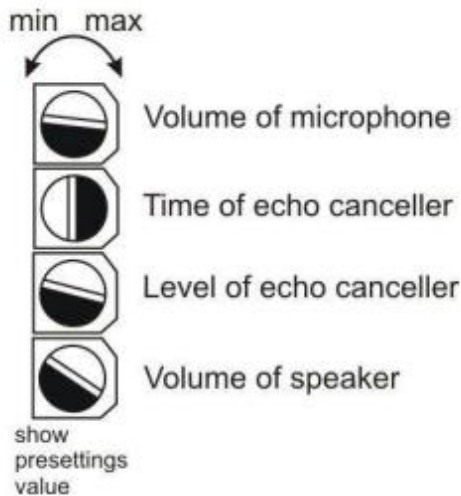
- NO means idle-disconnected contact,
- COM means a pin contact (middle)
- NC means an idle-connected contact.

The contacts of both switches are galvanically isolated from each other and from the circuits.



## 1.5 Acoustic setting

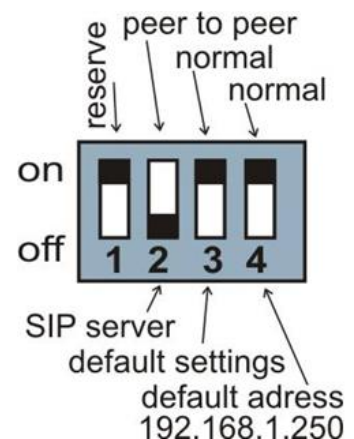
Trimmers positions are positioned in factory and in major cases will not need to be changed.



## 1.6 DIP Switch

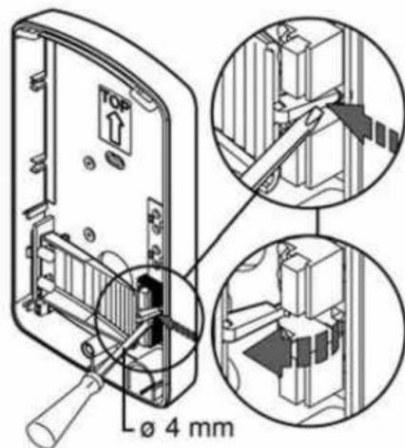
DIP switch setting basic operation and default setting. State of DIP switch is reading at start the SIPDOOR. After get started system is necessary

DIP switch 3 and 4 always return to the position "On", because at next reboot system would be new values overwriting by default value.

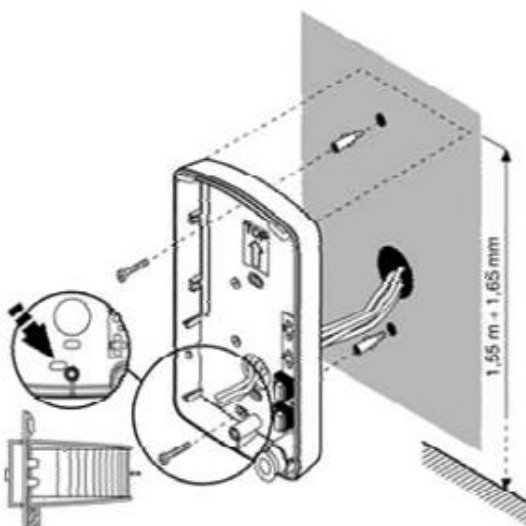


# Sipdex

## 1.7. Dismounting lighting of nameplate

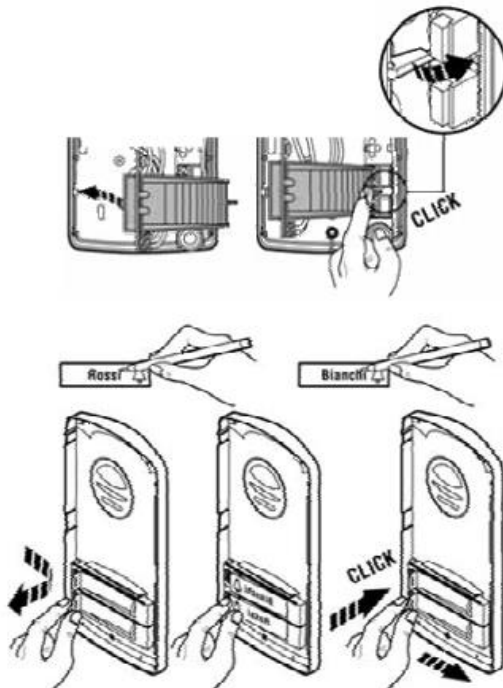


## 1.8. Assembly on the wall



The installation is made by screwing to the wall by means of dowels.

## 1.9. Return lighting name plate after mounting on the wall.



Each button has its separate nameplate hold by means of plastic flag (see figure).

## 1.10. Acoustic Signaling

The following board shows the acoustic signals that occur during operation. A Lighting signal is also available through the signal LED.

Condition	Tones	Tone frequency	LED
Line lifting up	■ ■ ■	425-850-1275	light
Line hanging up	■ ■ ■	1275-850-425	dark
Report after calling	■ ■ ■	425-850-1275	light
Notice about call end	■ ■ ■	1275	light
Parameter confirmation	■		
Switch on (Reset)	■ ■ ■	1275-850-1275	blink
Error (anything, if unsuitable)	■ ■ ■ ■ ■ ■ ■ ■	425...	
Empty memory (no progr. numb.)	■ ■ ■ ■ ■ ■ ■ ■	850-1275-1700...	
Waiting to talk	-	-	blinking
Is talk	-	-	light



## 2. Visitor at Door

SIPDOOR is provided with 2 Buttons. To each Button is associated Name of Company or physical Person name. To each button is associated 2 Call numbers . The visitor will press the corresponding button, the SIPDOOR manage to make the call through the VoIP channel. If the SIPDOOR is programmed with the following

- Group Mode: if after a number of Ring called party do not answer the SIPDOOR will manage to call the second number saved in table 2.
- Day/night mode: In Day mode, the SIPDOOR will always dial the number programmed in table 1. In Night mode, the SIPDOOR will always dial the number programmed in table 2.
- Manual code lock Allow opening the gate by dialing on the 2 keys a combination up to 6 push. If visitor presses buttons in such combination that meet the pre-programmed day, Night or Day/Night password code within the laps of time duration between each presses buttons set on time table, then the SIPDOOR will trigger the corresponding relay.

### 2.1. Incoming and Outgoing Calls

#### Incoming Call :

Incoming calls from IPBX or SIP phone are authorized, When a call is performed the SIPDOOR will ring from [1 to 5 ] rings depend what is programmed in table call is picked up automatically and caller is able to speak with the SIPDOOR and trigger the Relay 1 or 2 .

#### Outgoing Call :

Outgoing calls from SIPDOOR to IPBX or SIP phones are available by pressing one of the 2 buttons. IPBX and or SIP phone will ring:

- If called party pick up the call conversation take place and called party can trigger Relay 1 or 2
- If called party do not pick up the call after a pre-programmed N° of Ring

number programmed In both cases, Incoming or outgoing call, Conversation can be extended by dialing from the SIP phone (\* or #) after hearing the tone 10 seconds before call end.

# Sipdex

## 3. Parameters Programming

### 3.1. Choosing a mode and login



In the browser enter IP: 192.168.1.250, then enter the user name and password, the default user name is admin, password is 1234.

### 3.3. Network setting

In the Network Setting, change the SIPDOOR of IP and other information, press save and restart save and reboot after changing



## 3.4. SIP Parameters

The SIPDOOR can be set to **peer to peer (P2P) mode** or **SIP server mode** by setting the DIP switch .

**SIP server mode** Configuration:

**Sipdex**  
Day mode

**Menu:**

- Network setting
- Basic parameters
- SIP parameters
- Setting audio
- Setting video
- Relays
- Time parameters
- Memory numbers
- User interface
- Service
- Video
- Help

**Language:**  
English ▾ Set

**SIP parameters:**

**SIP proxy server** Address:   
Port:

**SIP registrar server** Address:  1  
Port:

**Outbound proxy** Address:   
Port:

**Account module** Name:   
Password:   
Auth. Id:   
Expiration [sec]:   
Registration successful

Use (180 Ringing):   
Use (183 Session progress):   
Enable Simmetric RTP:

default values save changes 2

- 1) Press the SIP parameters, enter the SIP register server IP and Port SIP Server,
- 2) then press save changes.

## 3.5. Direct Dialling – Memories

Enter the Extension number (SIP Server mode) you want to call from SIPDOOR, and then save changes.

When the press the Button 1, SIPDOOR will call the Phone number, so that both sides can talk.

	Group DAY	Group NIGHT
Button 1:	<input type="text" value="1"/>	<input type="text"/>
Button 2:	<input type="text"/>	<input type="text"/>
Button 3:	<input type="text"/>	<input type="text"/>
Button 4:	<input type="text"/>	<input type="text"/>
Button 5:	<input type="text"/>	<input type="text"/>
Button 6:	<input type="text"/>	<input type="text"/>
Button 7:	<input type="text"/>	<input type="text"/>
Button 8:	<input type="text"/>	<input type="text"/>
Button 9:	<input type="text"/>	<input type="text"/>
Button 10:	<input type="text"/>	<input type="text"/>
Button 11:	<input type="text"/>	<input type="text"/>

### P2P Mode:

When using P2P mode save IP address e.g . «192.168.1.250 »,

### SIP Server Mode:

When using SIP proxy server saves the extension number e.g. « 101 ».

Note: Switching from Day/Night mode remains set in DoorPhone even after power supply failure.

## 3.6. Relay management

**Sipdex**  
Day mode

**Menu:**

- Network setting
- Basic parameters
- SIP parameters
- Setting audio
- Setting video
- Relays
- Time parameters
- Memory numbers
- User interface
- Service
- Video
- Help

**Language:**

English ▾ Set

**Relays:**

**Relay 1:**

1) Relay mode: 1

External code day + night:

External code day:

External code night:

Internal code from phone: 55 2)

Relay closing [sec]: 05

Control of incoming call:

**Relay 2:**

Relay mode: 1

External code day + night:

External code day:

External code night:

Internal code from phone: 66 3)

Relay closing [sec]: 05

Control of incoming call:

Delay between 1 and 2 in mode 5: 10

default values save changes

### 1) Relay mode:

1 = Trigger mode – Used to trigger the relay when called party dial the Internal Code phone (Suggested to use this as default used for electrical locks, gate opening etc.)

2 = camera mode – Trigger on an outside camera

3 = lighting mode – Trigger lighting system based on temporized timeout.

4 = bell mode – Trigger an external Bell.

5 = Temporized opening modes – this mode is available only for relay 2

### 2) Internal code from phone (55)

When you are talking with SIPDOOR , you may press 55 to open door 1 (Relay 1)

### 3) Internal code from phone (66)

When you are talking with SIPDOOR , you may press 66 to open door 2 (Relay 2)

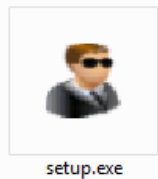
# Sipdex

## Install and Setup Video Popup for SIPDOOR

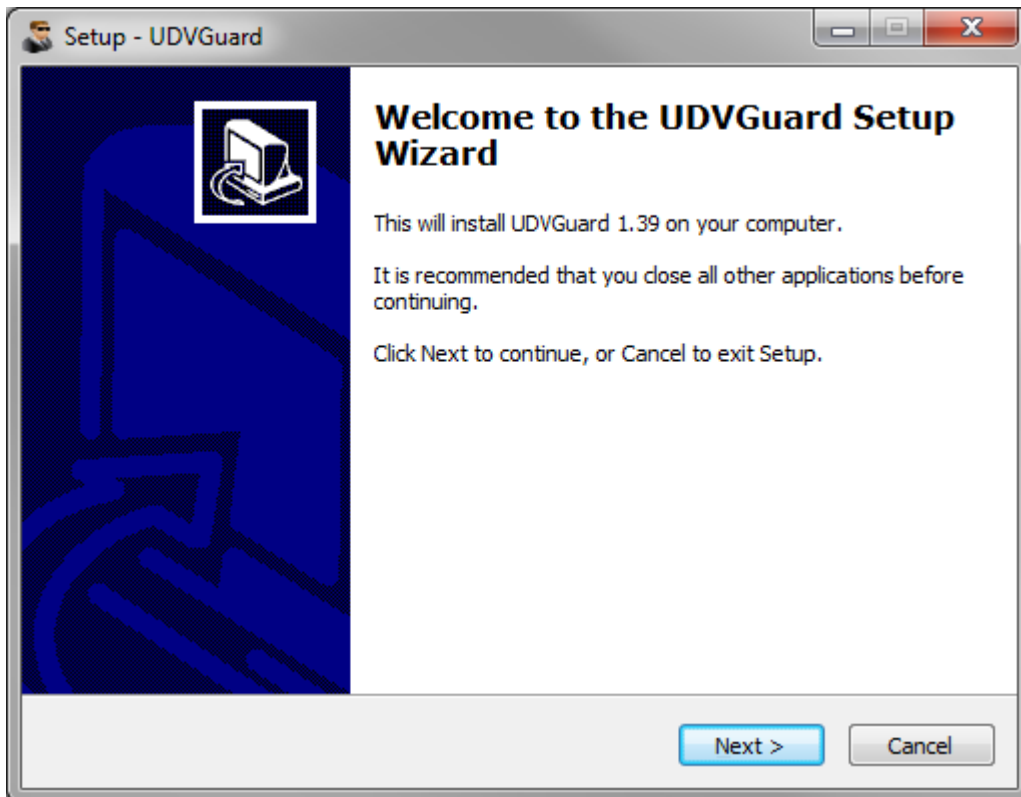
Step 1) Download Software URL:

<http://www.sipdex.com/sipdoor/download/VideoPopUp.zip>

Step 2) The VideoPopUp.zip decompression, and then run setup.exe

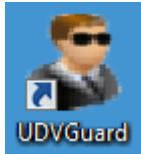


3) Finish the installation step by step



# Sipdex

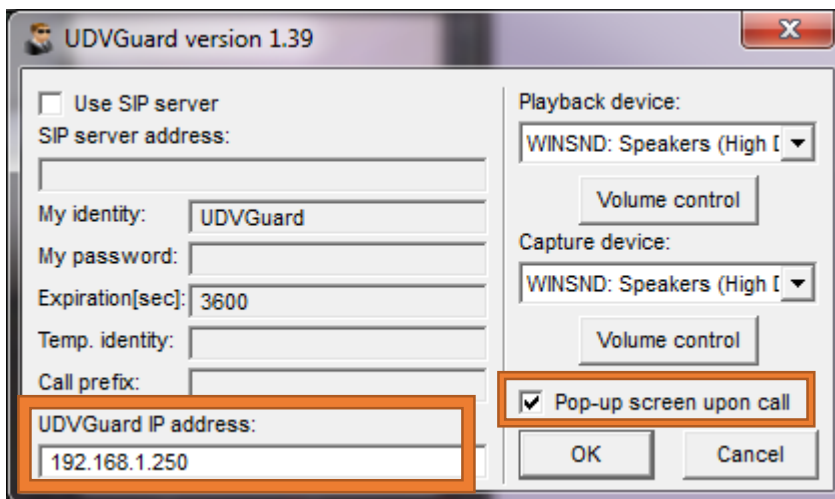
Step 4) After the installation, press UDVGuard Icon on the desktop to run UDVGuard



Step 5) Press the top right of the tick



Step 6) In UDVGuard IP address enter IP SIP Server, and tick Pop-up screen upon call, then press OK.



# Sipdex

Step 7) When the intake need to open the gate, according to the connecting door way, according to the pattern "Key 1" or pattern "Key 2" Let door open.

